



# P313-5

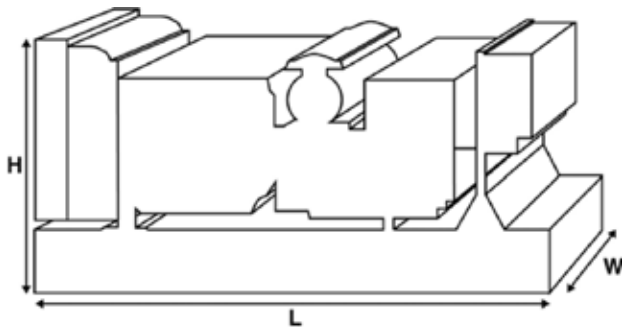
Standard Alternator

## Output Ratings

Voltage, Frequency		Prime	Standby
	kVA		
	kW		
480/277V, 60 Hz	kVA	281.3	312.5
	kW	225.04	250



Ratings at 0.8 power factor.  
Please refer to the output ratings technical data section for specific generator set outputs per voltage.



## Dimensions and Weights

Length	mm	2662 (104.8)
Width	mm	1071 (42.2)
Height	mm	1818 (71.6)
Weight (Dry)	kg	2035 (4486)
Weight (Wet)	kg	2068 (4559)

Ratings in accordance with ISO 8528, ISO 3046, IEC 60034, BS5000 and NEMA MG-1.22.  
Generator set pictured may include optional accessories.

### Prime Rating

These ratings are applicable for supplying continuous electrical power (at variable load) in lieu of commercially purchased power. There is no limitation to the annual hours of operation and this model can supply 10% overload power for 1 hour in 12 hours.

### Standby Rating

These ratings are applicable for supplying continuous electrical power (at variable load) in the event of a utility power failure. No overload is permitted on these ratings. The alternator on this model is peak continuous rated (as defined in ISO 8528-3).

### Standard Reference Conditions

Note: Standard reference conditions 25°C (77°F) Air Inlet Temp, 100m (328 ft) A.S.L. 30% relative humidity.  
Fuel consumption data at full load with diesel fuel with specific gravity of 0.85 and conforming to BS2869: 1998, Class A2.

FG Wilson offer a range of optional features to allow you to tailor our generator sets to meet your power needs.  
Options available include:

- Upgrade to CE Certification
- A wide range of Sound Attenuated Enclosures
- A variety of generator set control and synchronising panels
- Additional alarms and shutdowns
- A selection of exhaust silencer noise levels

For further information on all of the standard and optional features accompanying this product please contact your local Dealer or visit:

[www.fgwilson.com](http://www.fgwilson.com)

# P313-5



## Ratings and Performance Data

Engine Make	Perkins		
Engine Model:	1506A-E88TAG3		
Alternator Make	Leroy Somer		
Alternator Model:	LL5114H		
Control Panel:	Power Wizard 1.1+		
Base Frame:	Heavy Duty Fabricated Steel		
Circuit Breaker Type:	3 Pole MCCB		
Frequency:	50 HZ		60 HZ
Engine Speed: RPM	rpm	1800	
Fuel Tank Capacity:	litres (US gal)	528 (139.48)	
Fuel Consumption Prime	litres (US gal)/hr	60.8 (16.1)	
Fuel Consumption Standby	litres (US gal)/hr	67.6 (17.9)	

## Engine Technical Data

No. of Cylinders	6		
Alignment	IN LINE		
Cycle	4 STROKE		
Bore	mm (in)	112 (4.4)	
Stroke	mm (in)	149 (5.9)	
Induction	TURBOCHARGED AIR TO AIR CHARGE COOLED		
Cooling Method	WATER		
Governing Type	ELECTRONIC		
Governing Class	ISO 8528 G2		
Compression Ratio	16.1:1		
Displacement	L (cu. in)	8.8 (537)	
Moment of Inertia:	kg m <sup>2</sup> (lb/in <sup>2</sup> )	2.4031 (8212)	
Voltage	24		
Ground	Negative		
Battery Charger Amps	45		
Engine Weight Dry	kg (lb)	778 (1715)	
Engine Weight Wet	kg (lb)	800 (1764)	

## Engine Performance Data

		50 Hz	60 Hz
Engine Speed	rpm	1800	
Gross Engine Power Prime	kW (hp)	270 (362)	
Gross Engine Power Standby	kW (hp)	297 (398)	
BMEP Prime	kPa (psi)	2044 (296.4)	
BMEP Standby	kPa (psi)	2248 (326.1)	



### Fuel System

Fuel Filter Type:		Replaceable Element			
Recommended Fuel:		Class A2 Diesel			
Fuel Consumption at		110 % Load	100 % Load	75 % Load	50 % Load
50 Hz Prime:	l/hr (US gal/hr)				
50 Hz Standby	l/hr (US gal/hr)	-			
60 Hz Prime	l/hr (US gal/hr)	67.6 (17.9)	60.8 (16.1)	46.7 (12.3)	33.9 (9)
60 Hz Standby	l/hr (US gal/hr)	-	67.6 (17.9)	51.2 (13.5)	36.6 (9.7)

(Based on diesel fuel with a specific gravity of 0.85 and conforming to BS2869, class A2)

### Air System

		50 Hz	60 Hz
Air Filter Type:		Paper Element	
Combustion Air Flow Prime	m <sup>3</sup> /min (cfm)		18.6 (657)
Combustion Air Flow Standby	m <sup>3</sup> /min (cfm)		19.8 (699)
Max. Combustion Air Intake Restriction	kPa		6.2 (24.9)

### Cooling System

		50 Hz	60 Hz
Cooling System Capacity	l (US gal)		33.1626 (8.8)
Water Pump Type:		Centrifugal	
Heat Rejected to Water & Lube Oil: Prime	kW (Btu/min)		115 (6540)
Heat Rejected to Water & Lube Oil: Standby	kW (Btu/min)		120 (6824)
Heat Radiation to Room*: Prime	kW (Btu/min)		30 (1706)
Heat Radiation to Room*: Standby	kW (Btu/min)		32.4 (703)
Radiator Fan Load:	kW (hp)		13.2 (17.7)
Radiator Cooling Airflow:	m <sup>3</sup> /min (cfm)		438 (15466)
External Restriction to Cooling Airflow:	Pa (in H <sub>2</sub> O)		125 (0.5)

\*: Heat radiated from engine and alternator  
 Designed to operate in ambient conditions up to 50°C (122°F).  
 Contact your local FG Wilson Dealer for power ratings at specific site conditions.

### Lubrication System

Oil Filter Type:		Spin-on, Full flow
Total Oil Capacity:	l (US gal)	39 (10.3)
Oil Pan Capacity:	l (US gal)	36 (9.5)
Oil Type:		API CI-4 0W-30
Oil Cooling Method:		WATER

### Exhaust System

		50 Hz	60 Hz
Maximum Allowable Back Pressure:	kPa (in Hg)		10 (3)
Exhaust Gas Flow: Prime	m <sup>3</sup> /min (cfm)		45.3 (1600)
Exhaust Gas Flow: Standby	m <sup>3</sup> /min (cfm)		48.9 (1727)
Exhaust Gas Temperature: Prime	°C (°F)		477 (891)
Exhaust Gas Temperature: Standby	°C (°F)		496 (925)



## Alternator Physical Data

No. of Bearings:	1
Insulation Class:	H
Winding Pitch:	2/3
Winding Code	6
Wires:	12
Ingress Protection Rating:	IP23
Excitation System:	SHUNT
AVR Model:	R250

\* dependant on voltage code selected

## Alternator Operating Data

Overspeed: rpm	2250
Voltage Regulation: (Steady state) %	+/- 0.5
Wave Form NEMA = TIF:	50
Wave Form IEC = THF: %	2
Total Harmonic content LL/LN: %	2
Radio Interference:	EN61000-6
Radiant Heat: 50 Hz kW (Btu/min)	
Radiant Heat: 60 Hz kW (Btu/min)	20.4 (1160)

## Alternator Performance Data 50 Hz:

Voltage Code

Motor Starting Capability*	kVA				
Short Circuit Capacity**	%	300	300	300	300
Reactances	Xd				
	X'd				
	X''d				

## Alternator Performance Data 60 Hz

		480/277 V	380/220 V		440/254 V
Voltage Code		240/139 V			220/127 V
Motor Starting Capability*	kVA	611	423		535
Short Circuit Capacity**	%	300	300	300	300
Reactances	Xd	3.86	5.41		4.59
	X'd	0.267	0.375		0.318
	X''d	0.158	0.222		0.188

Reactances shown are applicable to prime ratings.

\*Based on 30% voltage dip at 0.6 power factor.

\*\* With optional independant excitation system (PMG / AUX winding)

# P313-5



## Output Ratings 50 Hz

Voltage Code	Prime		Standby	
	kVA	kW	kVA	kW
415/240V				
400/230V				
380/220V				
230/115V				
220/127V				
220/110V				
200/115V				
240V				
230V				
220V				

## Output Ratings 60 Hz

Voltage Code	Prime		Standby	
	kVA	kW	kVA	kW
480/277V	281.3	225	312.5	250
440/254V	281.3	225	312.5	250
416/240V				
400/230V				
380/220V	247.4	197.9	272.1	217.68
240/139V	281.3	225	312.5	250
240/120V				
230/115V				
220/127V	281.3	225.04	304.8	243.8
220/110V				
208/120V				
240/120				
220/110				



## P313-5

### Dealer Contact Details



信达共创  
CINDA CREATION

#### 北京信达共创机械设备有限公司 Beijing Xinda Creation Machinery Equipment Co.Ltd...

联系人 (Contact person): Aaron shang

手机 (Phone) :(+86) (0) 13911564503

网址 (Website): [www.xindacreation.com](http://www.xindacreation.com)

邮箱 (E-mail): [aaron.shang@xindacreation.com](mailto:aaron.shang@xindacreation.com)

### Documentation

Operation and maintenance manual including circuit wiring diagrams.

### Generator Set Standards

The equipment meets the following standards: BS5000, ISO 8528, ISO 3046, IEC 60034, NEMA MG-1.22.

### Warranty

6.8 – 750 kVA electric power generation products in prime applications the warranty period is 12 months from date of start-up, unlimited hours (8760). For standby applications the warranty period is 24 months from date of start-up, limited to 500 hours per year.

730 – 2500 kVA electric power generation products in prime applications the warranty period is 12 months from date of start-up, unlimited hours (8760 hours) or 24 months from date of start-up, limited to 6000 hours. For standby applications the warranty period is 36 months from date of start-up, limited to 500 hours per year.

FG Wilson manufactures product in the following locations:

Northern Ireland • Brazil • China • India

With headquarters in Northern Ireland, FG Wilson operates through a Global Dealer Network.

To contact your local Sales Office please visit the FG Wilson website at [www.fgwilson.com](http://www.fgwilson.com).

FG Wilson is a trading name of Caterpillar (NI) Limited.

In line with our policy of continuous product development, we reserve the right to change specification without notice.

2021-02-03